

# Wind Uplift

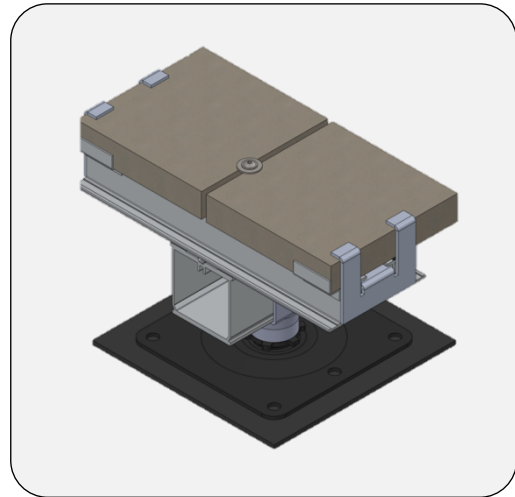
## Visual Wind Uplift fixing for TerraSmart® Rail



### Overview

The discreet flange headed screw and washer combine to secure tiles to the rail system via the bespoke tapped bolt. Tightening the screw clamps the paving to the rails and provides a successful countermeasure against the effects of wind uplift, resistant to an uplift force of 6kPa\*.

\*when used in conjunction with the TerraSmart® Rail Paving System




### Performance

<p><b>Cyclic Wind Load Testing in accordance with EOTA Technical Report TR005:2003</b></p>	<p>Product tested to a maximum of 6000 Pascals in pulsed cycles.</p> <p>No detrimental effects to any of the system were found and no failures were observed during testing.</p>
--	--

### Components


Component	Description
<b>Screw</b>	Marine Stainless (A4) M4 socket flanged button screw, 35mm thread length
<b>Washer</b>	Marine Stainless (A4) M4 washer, 15m diameter
<b>Wind uplift fixing bolt</b>	6063-T6 mill finished aluminium tapped fixing bolt, 24mm x 16.5mm

## Compatible Systems



**TerraSmart®**  
Rail Paving System

Premium, versatile paving system  
for waterproofed substrates



**BalcaSmart®**  
Rail Paving System

Premium, versatile paving system  
for waterproofed substrates

**TerraSmart®**  
Rail Paving System

Premium, versatile paving system  
for waterproofed substrates, **where  
non-combustibility isn't required**

**Got questions?**

**Speak to one of our expert advisors**

Visit [www.rynogroup.co.uk](http://www.rynogroup.co.uk) or call us today on **+44 (0)203 967 3500** or reach out on [sales@rynogroup.co.uk](mailto:sales@rynogroup.co.uk).