

Wind Uplift

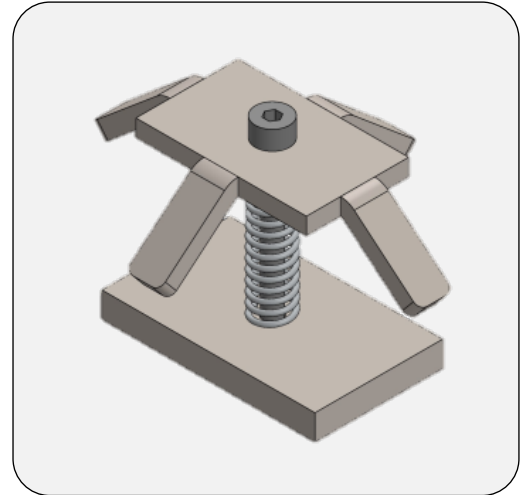
Hidden Wind Uplift fixing and spacer for TerraSmart® Rail



Patent pending: Application number GB2206904.1

Overview

Completely hidden fixing mechanism, comprising the spring-loaded clamp assembly for use with a RYNO wind-uplift kerfed tile and TerraSmart Rail Paving System. The downturned tabs provide a consistent 4mm gap between paving tiles. Tightening the screw clamps the paving to the rails and provides a successful countermeasure against the effects of wind uplift, resistant to an uplift force of 6kPa*.



*when used in conjunction with the TerraSmart® Rail Paving System


Performance

<p>Cyclic Wind Load Testing in accordance with EOTA Technical Report TR005:2003</p>	<p>Product tested to a maximum of 6000 Pascals in pulsed cycles.</p> <p>No detrimental effects to any of the system were found and no failures were observed during testing.</p>
--	--

Components


Component	Description
<p>Cross spacer</p>	<p>Marine Stainless (A4) clamp assembly with 4mm spacer tabs in 4 directions, to create 'stackbond' joints in the paved surface</p>
<p>T Spacer</p>	<p>Marine Stainless (A4) clamp assembly with 4mm spacer tabs in 3 directions, for use where paving joints are staggered</p>
<p>Straight Spacer</p>	<p>Marine Stainless (A4) clamp assembly with 4mm spacer tabs in 4 directions, for use where paving joists are straight, or around the perimeter</p>

Compatible Systems



TerraSmart®
Rail Paving System

Premium, versatile paving system
for waterproofed substrates



BalcaSmart®
Rail Paving System

Premium, versatile paving system
for waterproofed substrates

TerraSmart®
Rail Paving System

Premium, versatile paving system
for waterproofed substrates, **where
non-combustibility isn't required**

Got questions?

Speak to one of our expert advisors

Visit www.rynogroup.co.uk or call us today on **+44 (0)203 967 3500** or reach out on sales@rynogroup.co.uk.