

PRODUCT DATASHEET

RPA Self-Levelling Adjustable Paving Pedestal

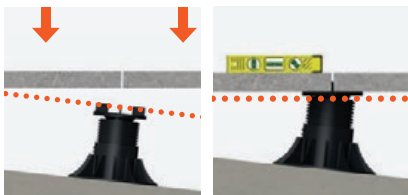
RPA self-levelling adjustable paving pedestal supports all types of calibrated paving.

SPACER TABS

- Provide consistent spacing between slabs
- Snap-off design allows for easy removal as required.

SELF-LEVELLING PAVING SUPPORT HEAD

'Ball and socket' floating head design allows slope correction of up to 10.5% (6°). No levelling shims are required – see below.



ADJUSTABLE THREADED SECTION

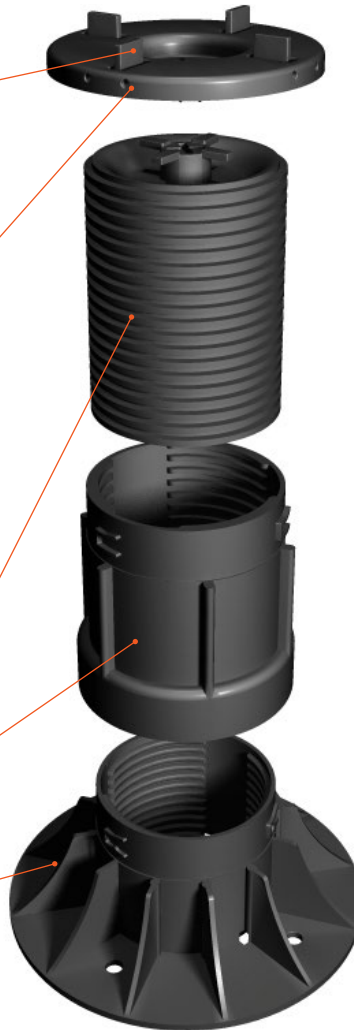
Easily allows millimetre perfect adjustment within given range.

HEIGHT EXTENSION COLLAR

- Easy to attach with single 'click' motion
- Builds up pedestal height in 100mm increments.

WIDE SUPPORTING BASE

- Evenly spreads load, protecting membranes
- Water drainage holes prevent moisture build-up
- Holes enable pedestals to be fixed to surface if required.



ACCESSORIES



BRSP
3mm rubber shock pad for pedestal base
part no: 50.1001



HRSP for RPA
2mm moulded rubber shockpad for RPF pedestal
part no: 50.1009



Edge Spring Clip
Tensions tile bed, counteracts creepage and ensures uniform spacing against wall abutment
part no: 50.0018



TECHNICAL SPECIFICATION

Material	PP Polypropylene (recyclable), UV resistant		
Biological/chemical	Resistant to moulds, algae, alkali, bitumen		
Height range	RPA-1 40-56mm RPA-2 50-70mm RPA-3 70-110mm RPA-4 110-160mm RPA-5 150-210mm	RPA-6 200-300mm RPA-7 300-400mm RPA-8 400-500mm RPA-9 500-600mm RPA-10 600-700mm	RPA-11 700-800mm RPA-12 800-900mm RPA-13 900-1000mm
Compression	2100kg (certified compression data available on request)		
Base Diameter	210mm / 220mm		
Head Diameter	130mm		
Spacer tab thickness	2mm / 4mm (standard) / 6mm / 8mm / 10mm		
Working Temperature	-40°C to 120°C		



Castlepoint
Castle Way
Ellon AB41 9RG

01358 726000
sales@rynogroup.co.uk
rynogroup.co.uk